



POWER BEYOND BELIEF™

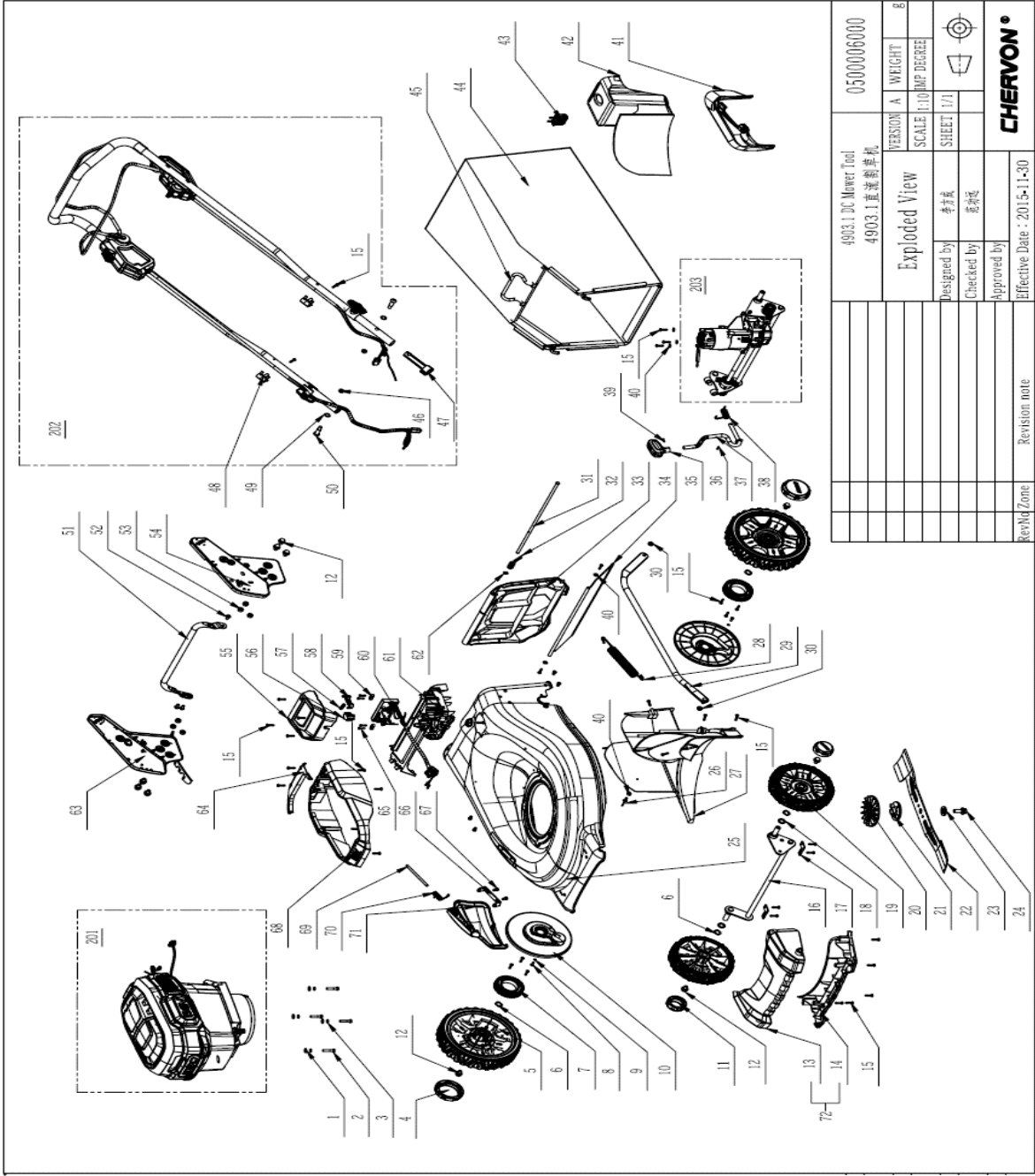
Model No. **LM2014E-SP**

Index No.	Stierman de Leeuw Part No.	EGO Article No.	Description	QTY in machine
1	28500430	3700076001	Plate	4
2	28500428	5640008003	Hexagon Head Bolt	4
3	28500635	5650168001	Spring Washer	4
4	28500392	3126765001	Hubcap	2
5	28500391	2824430001	Wheel Assembly	2
6	28500373	5650453001	Wave Washer	4
7	28500390	3128057001	Gear	2
8	28500389	5620041006	Screw	2
9	28500636	5650007007	Spring Washer	2
10	28500387	3127923001	Protecting Cap	2
11	28500370	3126769001	Hubcap	2
12	28500371	5640010003	Hexagon Flange Bolt	10
13	28500296	3127963001	Front Cover	1
14	28500297	3128060001	Lower Housing	1
15	28500361	5620157006	Tapping Screw	45
16	28500298	2824348001	Front Axle Set	1
17	28500384	3705216001	Mounting Plate	2
18	28500299	5650032003	Plain Washer	2
19	28500372	2824429001	Wheel Assembly	2
20	28500021	3127847001	Fan	1
21	28500637	3520852002	Motor Bushing	1
22	28500300	3706023001	Blade	1
23	28500018	5650510001	Washer	1
24	28500019	5640226001	Flange Bolt	1
25	28500301	3705890001	Deck	1
26	28500302	5680200001	Rivet	1
27	28500303	3127956001	Rear Enclosure	1
28	28500304	3660609001	Tension Spring	1
29	28500305	2824128001	Connecting Rod ASSY	1
30	28500638	5630013003	Prevailing Torque Hexagon Nut	2
31	28500306	5670382001	Shaft	1
32	28500039	3660559001	Torsion Spring	1
33	28500307	3127944001	Rear Cover	1
34	28500308	3128114001	Trail Shield	1
35	28500309	3126410001	Height Adjusting Lever	1
36	28500310	5670184002	Pin	1

37	28500311	2824126001	Height Adjusting Bar ASSY	1
38	28500312	3660606001	Torsion Spring	1
39	28500639	5620033005	Screw	1
40	28500448	5650004001	Plain Washer	6
41	28500313	3127950001	Side Discharge Chute	1
42	28500314	3127949001	Mulch Plug	1
43	28500411	5680196001	Key	1
44	28500315	3800110001	Grass Catcher	1
45	28500316	3650172001	Bag Frame	1
46	28500317	5630060004	Hexagon Nut	2
47	28500318	3126580001	Switch Lever	1
48	28500319	3126639001	Wire Holder	2
49	28500320	3700095002	Washer	2
50	28500321	5640228001	Screw	2
51	28500322	2824349001	Handle ASSY	1
52	28500323	5620369004	Screw	3
53	28500114	5630271001	Nut	6
54	28500324	2824125001	Right Support ASSY	1
55	28500325	3126337001	Motor Top Cover	1
56	28500326	4870541002	Push Switch	1
57	28500238	3660076001	Spring	1
58	28500328	3126641001	Rotating Block	1
59	28500052	3122798001	Cord Anchorage	2
60	28500329	2830076002	Electrical Assembly	1
61	28500330	3127954001	Rear Cover	1
62	28500376	5660139002	E Ring	1
63	28500331	2824134001	Left Support ASSY	1
64	28500332	3127947001	Service Cover	1
65	28500091	5610032004	Tapping Screw	4
66	28500333	3705862001	Bevel Support	1
67	28500141	5620213003	Hexagon Socket Screw	6
68	28500334	3127951001	Housing Cover	1
69	28500335	5670384001	Pin	1
70	28500336	3660607001	Torsion Spring	1
71	28500337	3127965001	Guard	1
72	28500338	2824527001	Top Cover ASSY	1
201	28500640	2824248003	Power Unit	1
202	-	-	Handle ASSY	1
203	28500339	2824283001	Self-Propelled Unit	1

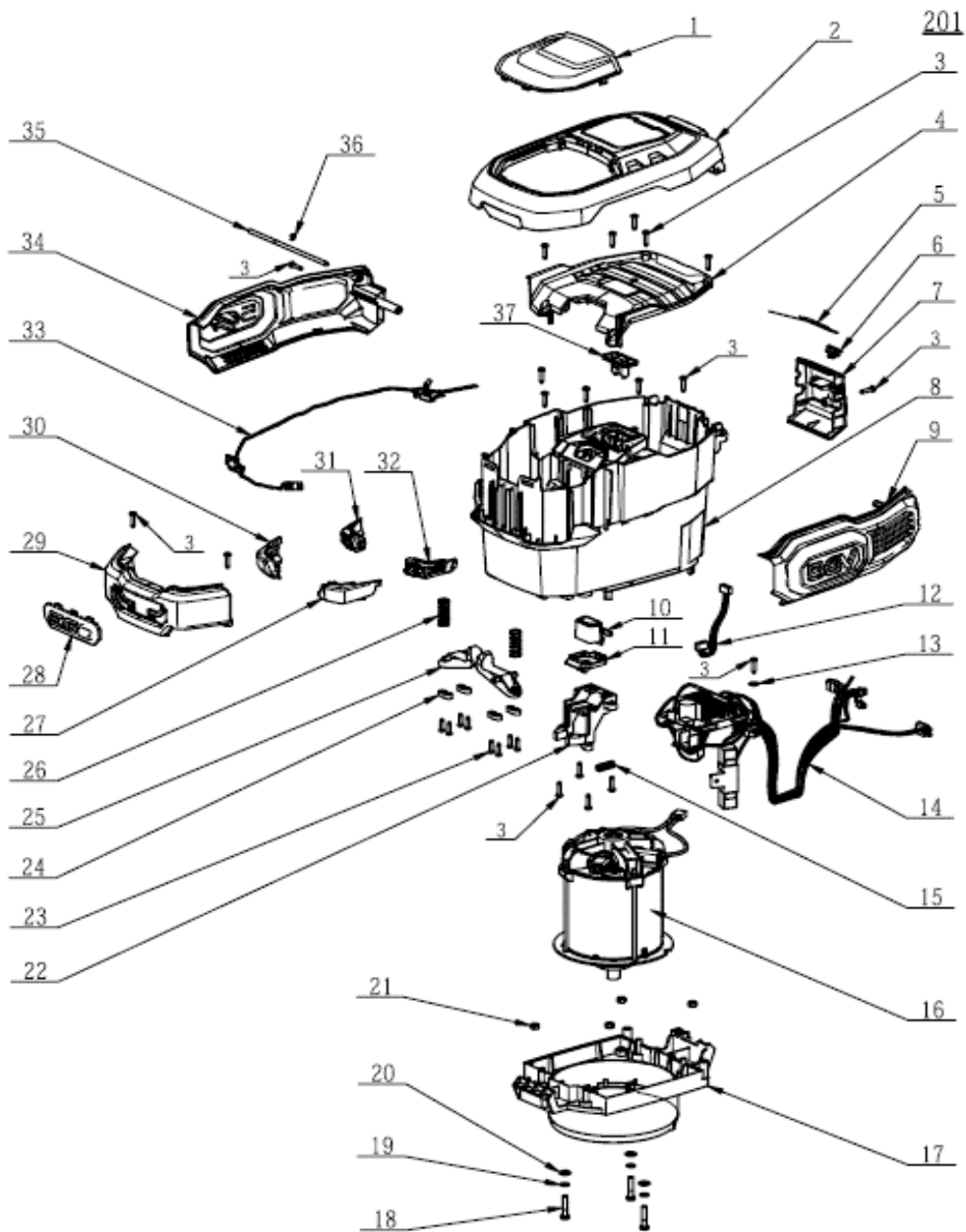
201	Power unit			
1	28500414	3127900001	Transparent Guard	1
2	28500415	3127880001	Battery Cover	1
3	28500260	5610042014	Tapping Screw	19
4	28500416	3127879001	Inner Cover	1
5	28500417	4870558001	Film Switch	1
6	28500418	3127891001	Power Indicator Cover	1
7	28500419	3127890001	Cover	1
8	28500420	3127881001	Battery Box	1
9	28500421	3127899001	Decorative Cover	1
10	28500422	3126760001	Release Button	1
11	28500423	3126772001	Sliding Block	1
12	28500033	4930490001	Wiring Harness	1
13	28500448	5650004001	Plain Washer	1
14	28500632	2830075003	Electrical Assembly	1
15	28500425	3660303002	Spring	1
16	28500426	2730238001	DC Motor	1
17	28500427	3127886001	Bottom Support	1
18	28500428	5640008003	Hexagon Head Bolt	3
19	28500635	5650168001	Spring Washer	3
20	28500430	3700076001	Plate	3
21	28500431	5630015001	Prevailing Torque Hexagon Nut	4
22	28500432	3126782001	Fixed Unit	1
23	28500091	5610032004	Tapping Screw	8
24	28500052	3122798001	Cord Anchorage	4
25	28500433	3126773001	Lever	2
26	28500434	3660306002	Spring	2
27	28500435	3127982001	Transparent Cap	1
28	-	-	EGO Logo	-
29	-	-	Front Cover	-
30	28500438	3127981001	Transparent Cap	1
31	28500439	3127983001	Reflector	1
32	28500440	3127984001	Reflector	1
33	28500441	2823604003	PCB Assembly	1
34	28500442	3127898001	Decorative Cover	1
35	28500443	5670380001	Pin	1
36	28500444	5660003003	E Ring	1
37	28500445	5680195001	Key Holder	1

202	Handle Assembly			
1	28500361	5620157006	Tapping Screw	7
2	-	-	Bottom Switch Box Cover	-
3	-	-	Top Switch Box Cover	-
4	28500641	5610047006	Tapping Screw	4
5	28500340	4860311001	Internal Wire ASSY	1
6	28500341	2824261001	Adjusting Handle Set	2
7	28500342	3128161001	End Cap	1
8	28500343	4860312001	Internal Wire ASSY	1
9	28500344	3126498001	Left Cover	1
10	28500345	3126497001	Right Cover	1
11	28500452	3123112001	O Ring	1
12	28500453	3127930001	Adjusting Knob	1
13	28500477	4870563001	Push Switch	1
14	28500642	4890439003	PCB Assembly	1
15	28500069	3660562001	Compression Spring	1
16	28500380	5610044002	Tapping Screw	
17	28500346	3126578001	Switch Lever	1
18	28500347	5620033010	Screw	2
19	28500348	3128061001	Button	2
20	28500349	3128065001	Bush	1
21	28500350	3650170001	Control Handle	1
22	28500351	2824206001	Handle ASSY	1
23	28500352	3650169001	Control Handle	1
24	28500353	3660608001	Torsion Spring	1
25	28500354	3128063001	Switch Lever	1
26	28500480	4870566001	Push Switch	1
27	28500355	3660399001	Spring	1
28	28500356	3127948001	Connecting Rod	1
29	28500357	3660497001	Compression Spring	1
30	28500358	3128062001	Push Button	1
31	28500359	2824523001	Switch Box Set	1
32	28500360	2824530001	Switch Box	1
203	Self-drive unit			
1	28500361	5620157006	Tapping Screw	5
2	28500362	3126437001	Motor Support	1
3	28500486	2824424001	Motor & Gear ASSY	1
4	28500487	3421676001	AI Cover	1
5	28500166	5650015012	Spring Washer	2
6	28500488	5620220001	Screw	2
7	28500489	3703931002	Gasket	1
8	28500490	3520868001	Planet Gear	3
9	28500491	5610060004	Tapping Screw	4
10	28500492	3520519001	Ring Gear	1
11	28500493	2824425001	Shaft ASSY	1
12	28500495	3126674001	Connector	1
13	28500494	3520672001	Shaft Connector	2
14	28500501	2824148001	Transmission ASSY	1
15	28500363	5660035001	Circlips For Shaft	2
16	28500364	3520870001	Pinion	2
17	28500498	5660152002	Circlips For Shaft	2
18	28500365	2824529001	Bearing Support ASSY	2
19	28500366	2824347001	Rear Axle Set	1

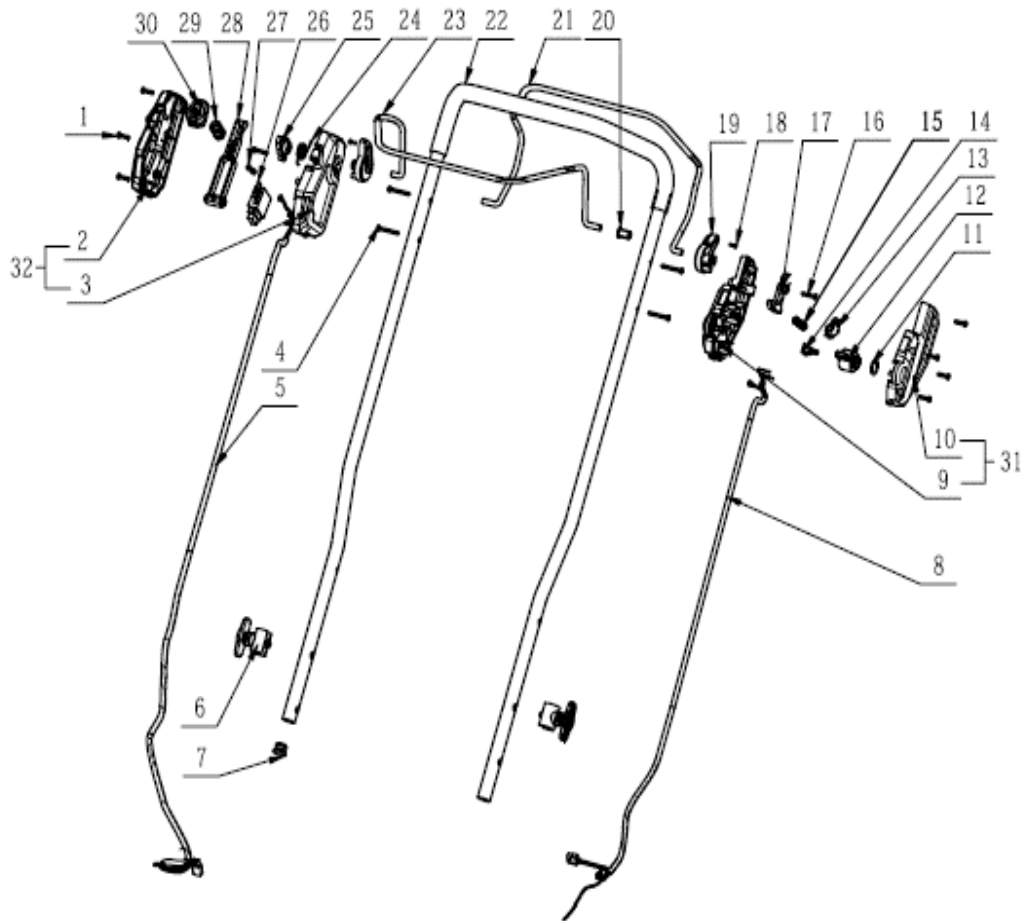


4903.1 DC Mower Tool 4903.1 直流割草机		0500006000	
VERSION	A	WEIGHT	g
SCALE	1:10	MP DEGREE	
Exploded View		Designed by	李力威
		Checked by	梁裕冠
		Approved by	
		Effective Date	2015-11-30
Rev/Zone		Revision note	

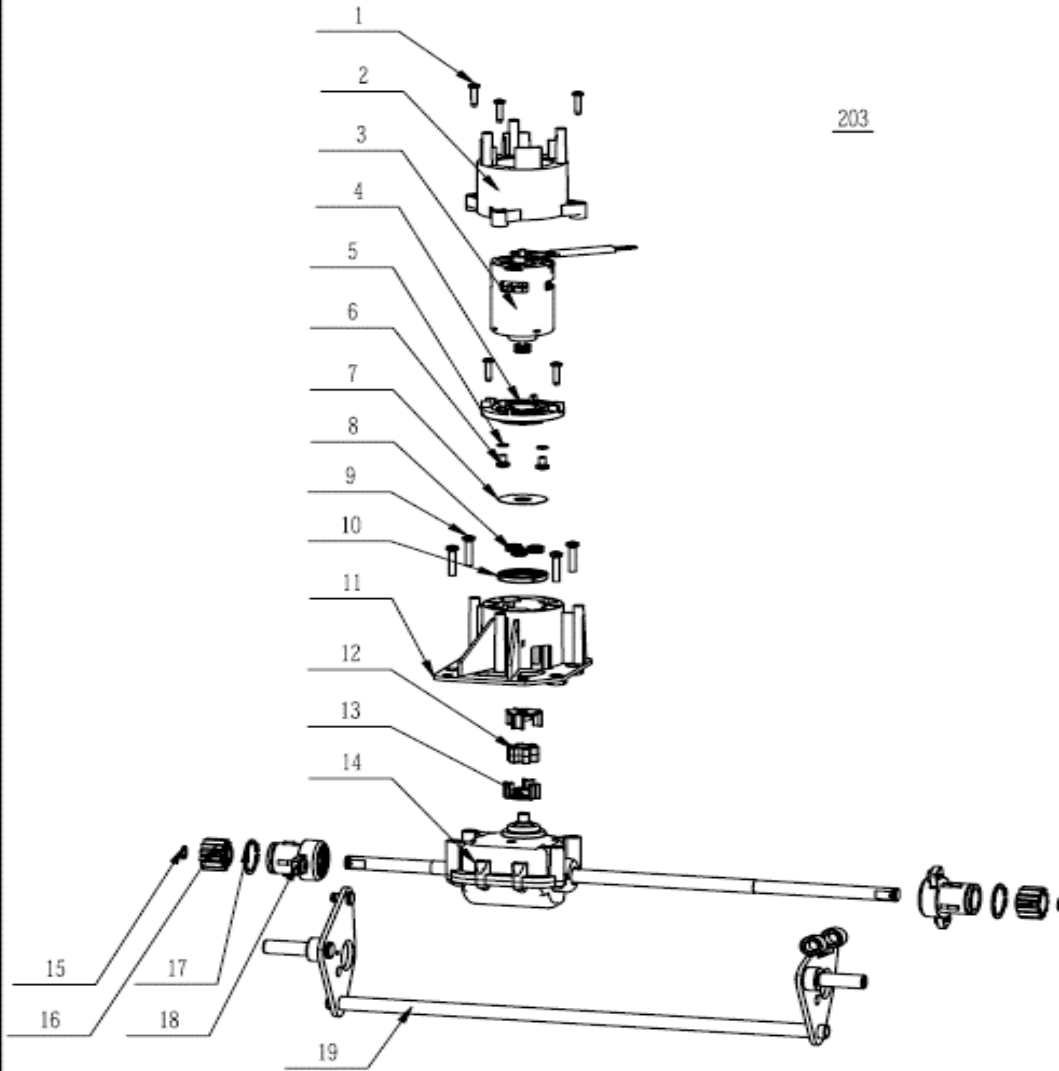




			Power Unit (单包动力头_欧款)		2824248000		
			Exploded View	VERSION	A	WEIGHT	g
				SCALE	1:8	IMP DEGREE	B
			Designed by	陆进			
			Checked by	许海深			
			Approved by				
RevNo	Zone	Revision note	Effective Date : 2015-9-30		CHERVON®		



			Handle ASSY (把手组件)		2824262000			
			Exploded View		VERSION	A	WEIGHT	g
					SCALE	1:10	IMP DEGREE	
			Designed by	李方成	SHEET	1/1		
			Checked by	范功远				
			Approved by		CHERVON ®			
RevNo	Zone	Revision note	Effective Date : 2015-11-27					



		Self-Propelled Unit (自行走组件)		2824283000	
		Exploded View		VERSION	A
				SCALE	1:5
				SHEET	1/1
		Designed by	李方成		
		Checked by	范功远		
		Approved by			
RevNo	Zone	Revision note			