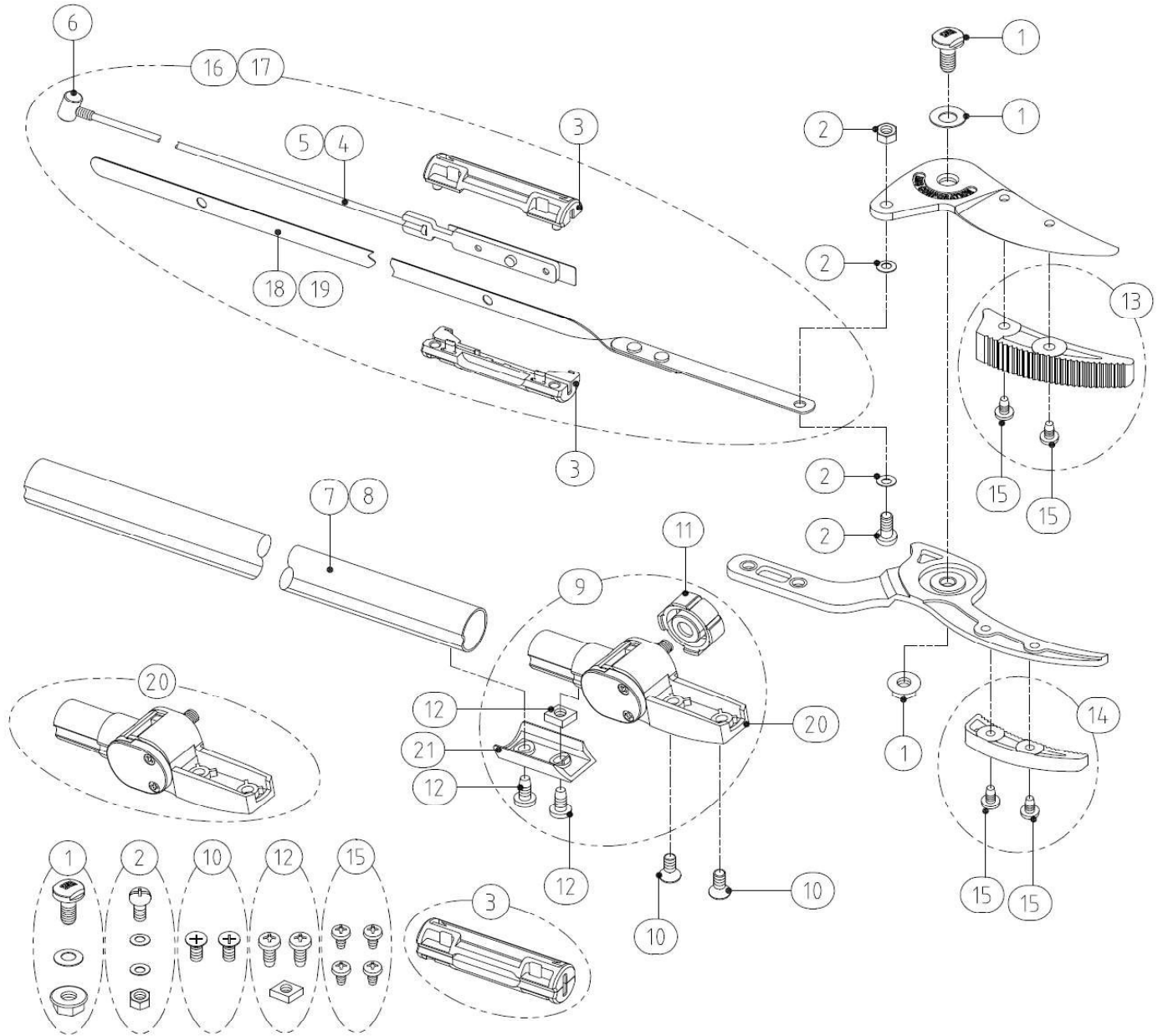
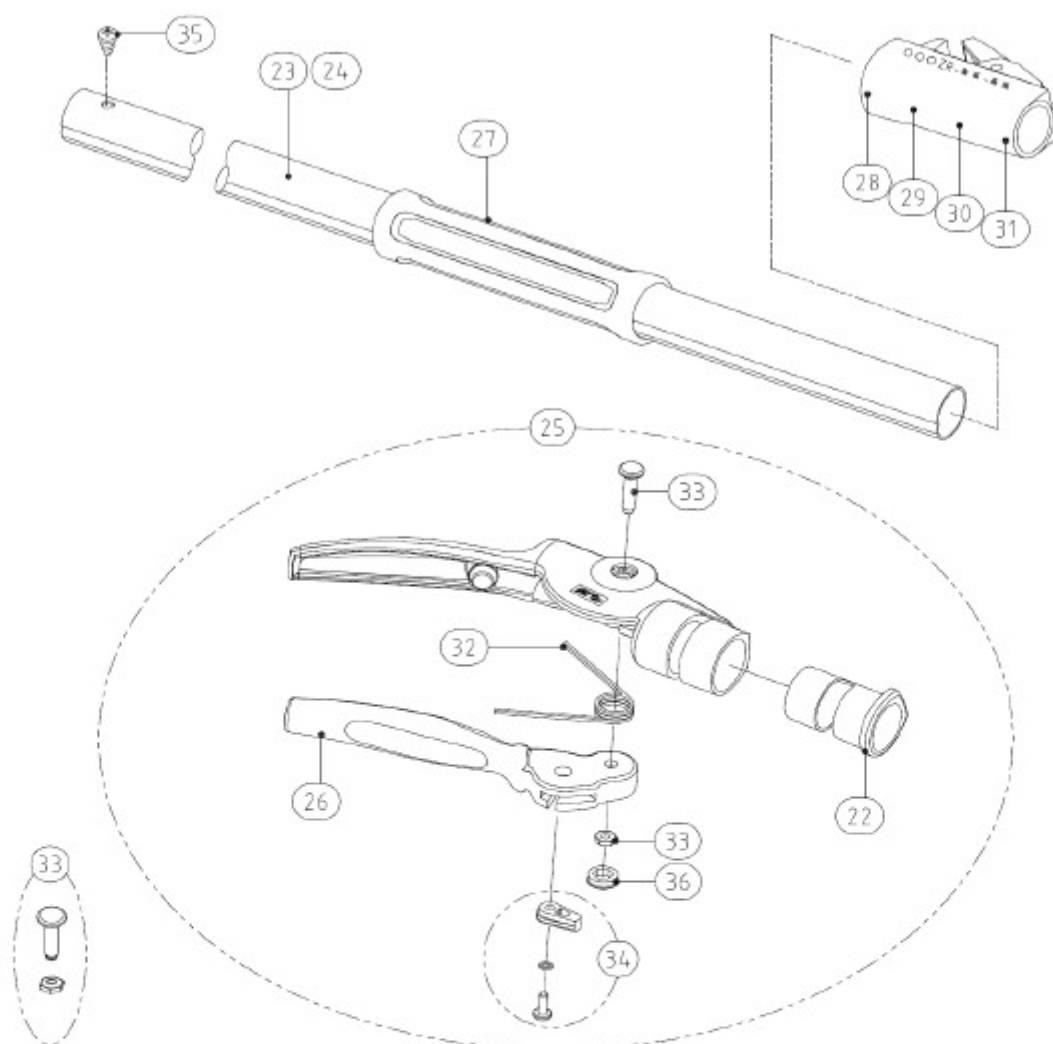


160ZR-2.0-3 / 160ZR-3.0-5 / 180ZR-2.0-3 / 180ZR-3.0-5



PARTS NO.	SPECIFICATION	PARTS NO.	SPECIFICATION
① SP-334	BOLT, WASHER & NUT FOR 160/180ZR SERIES	⑭ SP-352	HOLDING DEVICE FOR THE COUNTER BLADE WITH 2 SCREW FOR 160ZR
② SP-74	SCREW, NUT & 2 WASHERS FOR THE HOOP OF ZR SERIES/160R-1.8/180R-1.8	⑮ SP-353	SCREWS FOR HOLDING DEVICE OF 160ZR/160R-1.8 (4PCS)
③ SP-335	INNER CASE FOR ZR SERIES	⑯ HP-ZR-2.0-3	STEEL BAND SET FOR ZR-2.0-3
④ SP-336	ROD ONLY FOR 160/180ZR-2.0-3	⑰ HP-ZR-3.0-5	STEEL BAND SET FOR ZR-3.0-5
⑤ SP-337	ROD ONLY FOR 160/180ZR-3.0-5	⑱ SP-409	STEEL BAND ONLY FOR 160/180ZR-2.0-3
⑥ SP-338	ROD FIXING PART FOR ZR/160R/180R SERIES	⑲ SP-410	STEEL BAND ONLY FOR 160/180ZR-3.0-5
⑦ SP-340	UPPER PIPE FOR 160/180ZR-2.0-3	⑳ SP-433	TILT CASE ONLY, FOR ZR SERIES
⑧ SP-341	UPPER PIPE FOR 160/180ZR-3.0-5	㉑ SP-434	TILT CASE FIXING PLATE FOR ZR SERIES (W/O SCREWS)
⑨ SP-344	TILT CASE SET FOR 160/180ZR		
⑩ SP-345	SCREW TO ATTACHE THE CUTTING HEAD FOR ZR SERIES (2PCS)		
⑪ SP-346	DIAL NUT FOR 160/180ZR		
⑫ SP-347	2 SCREWS & 1 NUT FOR ZR SERIES		
⑬ SP-351	HOLDING DEVICE FOR THE CUTTING BLADE WITH 2 SCREW FOR 160ZR		

160ZR-2.0-3 / 160ZR-3.0-5 / 180ZR-2.0-3 / 180ZR-3.0-5



PARTS NO.	SPECIFICATION	PARTS NO.	SPECIFICATION
22	SP-339 SLEEVE FOR THE GRIP OF ZR/160R/180R SERIES	33	SP-379 CENTER BOLT & NUT FOR GRIP OF ZR SERIES
23	SP-342 LOWER PIPE ONLY, FOR 160/180ZR-2.0-3	34	SP-380 HANDLE LATCH LOCK SET FOR ZR/160R/ 180R SERIES
24	SP-343 LOWER PIPE ONLY, FOR 160/180ZR-3.0-5	35	SP-381 STOP SCREW FOR ZR SERIES & 150-0.6
25	SP-348 GRIP SET FOR 160/180ZR		
26	SP-349 GRIP LEVER ONLY FOR ZR/160R/180R SERIES		
27	SP-350 MIDDLE GRIP FOR ZR/160R/180R		
28	SP-354 JOINT CASE SET FOR 160ZR-2.0-3		
29	SP-355 JOINT CASE SET FOR 160ZR-3.0-5		
30	SP-356 JOINT CASE SET FOR 180ZR-2.0-3		
31	SP-357 JOINT CASE SET FOR 180ZR-3.0-5		
32	SP-41 SPRING FOR LONG REACH PRUNER (INC ZR SERIES, 150-0.6) (1 PC)		
33	SP-379 CENTER BOLT & NUT FOR GRIP OF ZR SERIES		
34	SP-380 HANDLE LATCH LOCK SET FOR ZR/160R/ 180R SERIES		
35	SP-381 STOP SCREW FOR ZR SERIES & 150-0.6		